



Pixel String Evolution



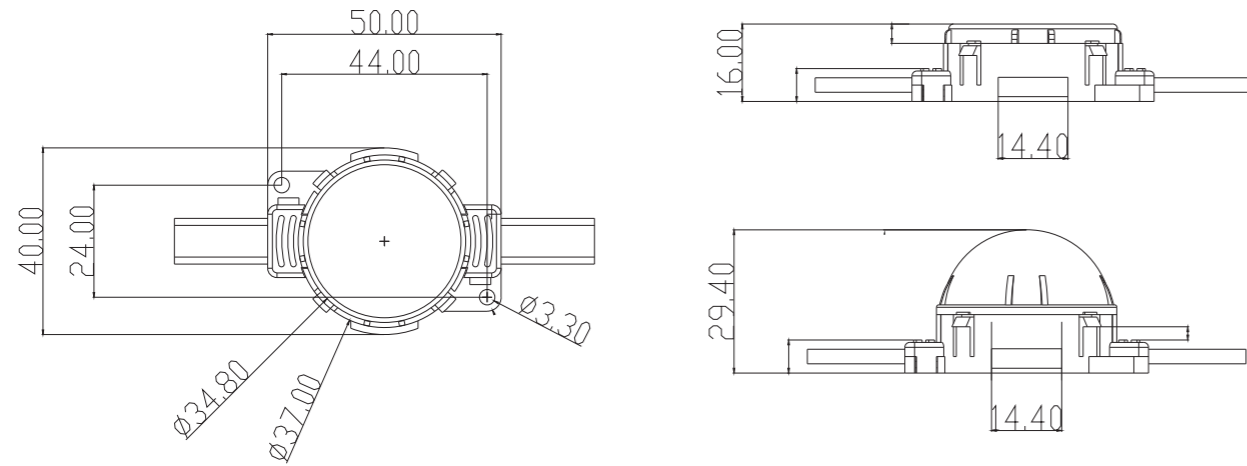
Pixel Pitch
Standard - 100mm, 150mm, 200mm, 250mm, 300mm.
Custom spacing available.

Warranty
5 Year Warranty

Control
Standard DMX512 control protocol (Max 44 frames / second).
The communication between fittings can be synchronised perfectly under use of Titan Artnet Controller.

Protection
Lightning and ESD Protection
Electrical Protections: short circuit, over current, over voltage and over temperature.

Dimension



Colors



LED

LED Source	SMD LED
LED QTY	6pcs
Beam Angle	120°

Electrical

Input voltage	24VDC
power consumption	1.5W per dot

Control

Protocol	ON/OFF DMX512
Pixels	150mm,200mm.250mm.300mm and other customized pitch
Addressing options	Manual addressing

Physical

Housing Material	PC(Polycarbonate)	Mounting Options	Surface mount
Finish	Black/White	Luminaire Connection	5PIN cable with screw lock connector for DC and DMX
Lenze	Clear/Opal dome		

Environment

Operating Temperature	-30° to 60°	Humidity	0-95%,non-condensing
Startup Temperature	-30° to 60°	IP	Outdoor IP67
Storage Temperature	-40° to 80°		

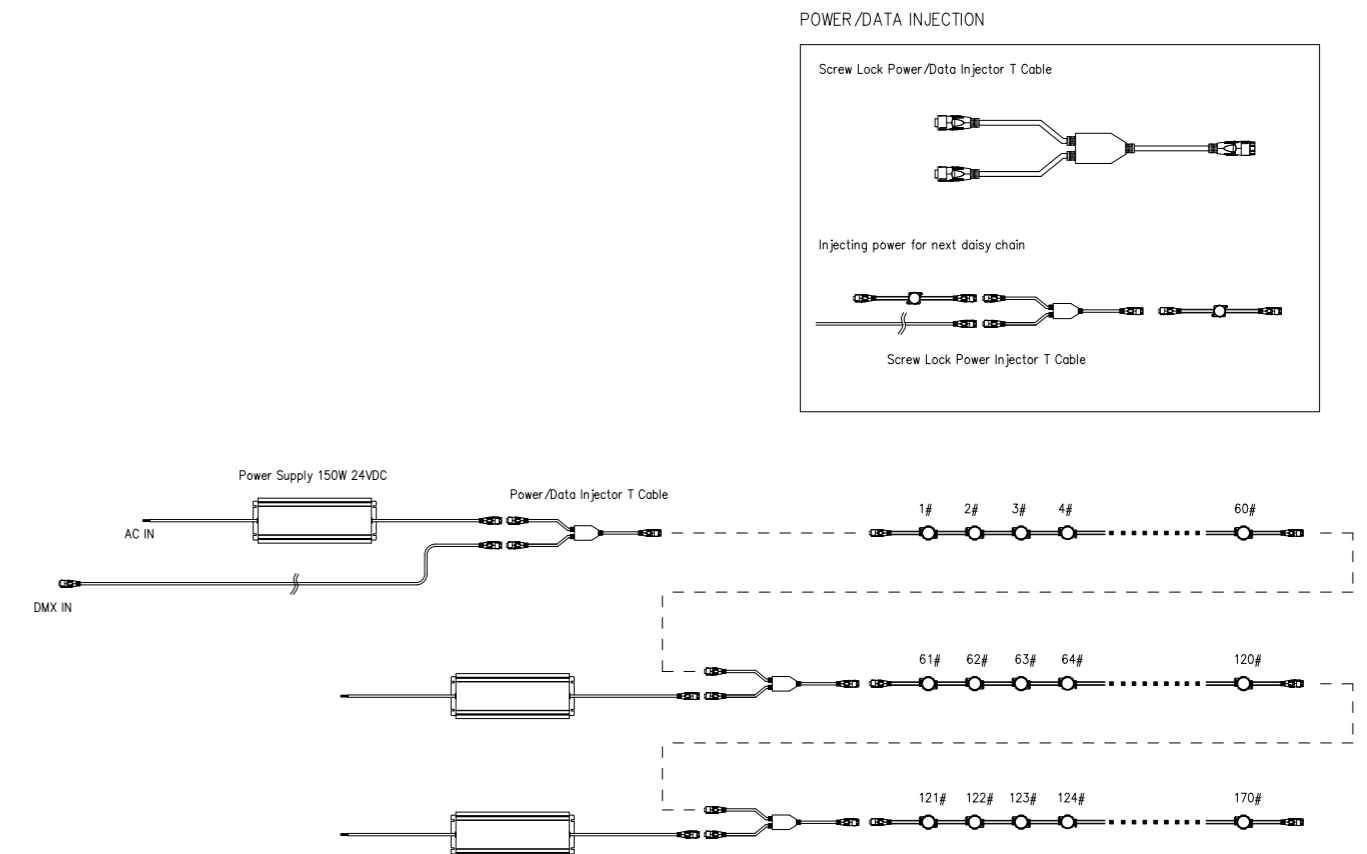
Certificate



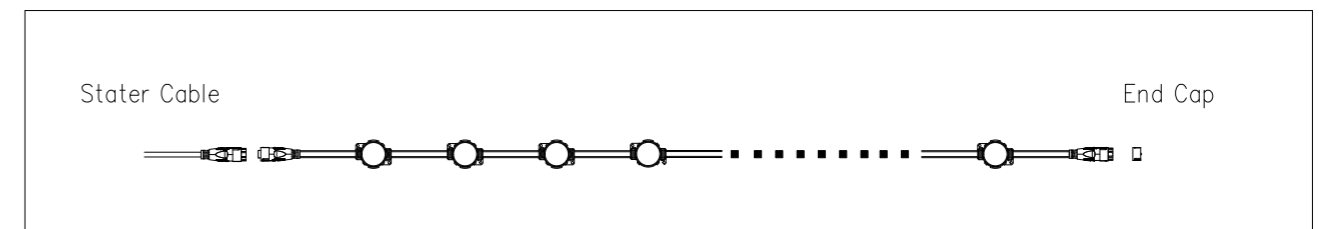
Ordering Information

Product	Diffuser	Diameter	LED QTY	LED Color
D	C	50	06	03
LED Dot	C Clear M Milky	50mm	6LEDs	01 White 03 RGB 04 RGBW

Wiring Diagram



Luminaire Interconnection



Maximim Run Lengths

	1.2W per dot(RGB)	1.5W per dot(RGBW)
24VDC	up to 60 dots	up to 50 dots