

GLOWLINE PIXEL BAR 28mm

OUTDOOR LINEAR PIXEL BAR FOR PIXEL-MAPPING

10W

FEATURES

- Indoor or outdoor use
- Auto or manual addressing
- DMX512 data direct in
- No separate DMX driver required
- Perfect for outdoor video pixel-mapping
- Available in RGB, RGBW and Tunable White
- Available in 1200mm, 1000mm, 500mm, 250mm lengths
- Run up to 14m before re-feeding power

SPECIFICATIONS

Light Source	60 x RGB SMD 5050 LEDs
Pixel Spacing	50mm
LED Lifetime	50,000 hours L70
Operation Voltage	12 - 24VDC
Viewing Angle	120°
Power Consumption	8.5W (white), 10W (RGBW)
Ingress Protection	IP67
Housing	Aluminium
Lens	Frosted PMMA (no dots)
Control	DMX512 3ch per pixel
Modes	1/2/4/5/10/20 Pixel Mode
Connection	4-pin ELV + DMX
Operating Temp.	-40° - +50°C
Storage Temp.	-40° ~ +80°C
Luminaire Dimensions	1000mm x 28mm x 25mm



Tunable White 2700K - 6500K

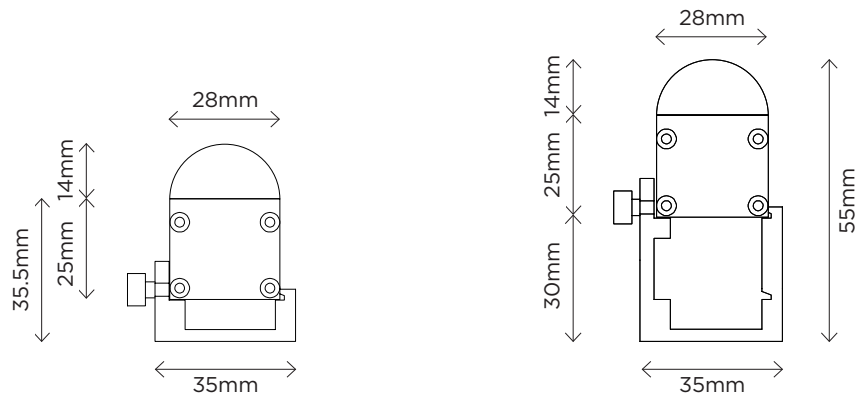
ORDERING CODE ¹	DESCRIPTION	LEDS	POWER WATTAGE PER METRE	CONTROL CHANNELS PER METRE ²
SCADC281006003	GLOWLINE PIXEL BAR 28 RGB	60 x SMD5050	10	3 - 60
SCADC281006004	GLOWLINE PIXEL BAR 28 RGBW	60 x SMD5050	10	4 - 80
TBC	GLOWLINE PIXEL BAR 28 TW (TUNABLE WHITE)	60 x SMD5050	10	2 - 40

¹ Ordering Codes - specify colour temperature and lens at time of ordering.

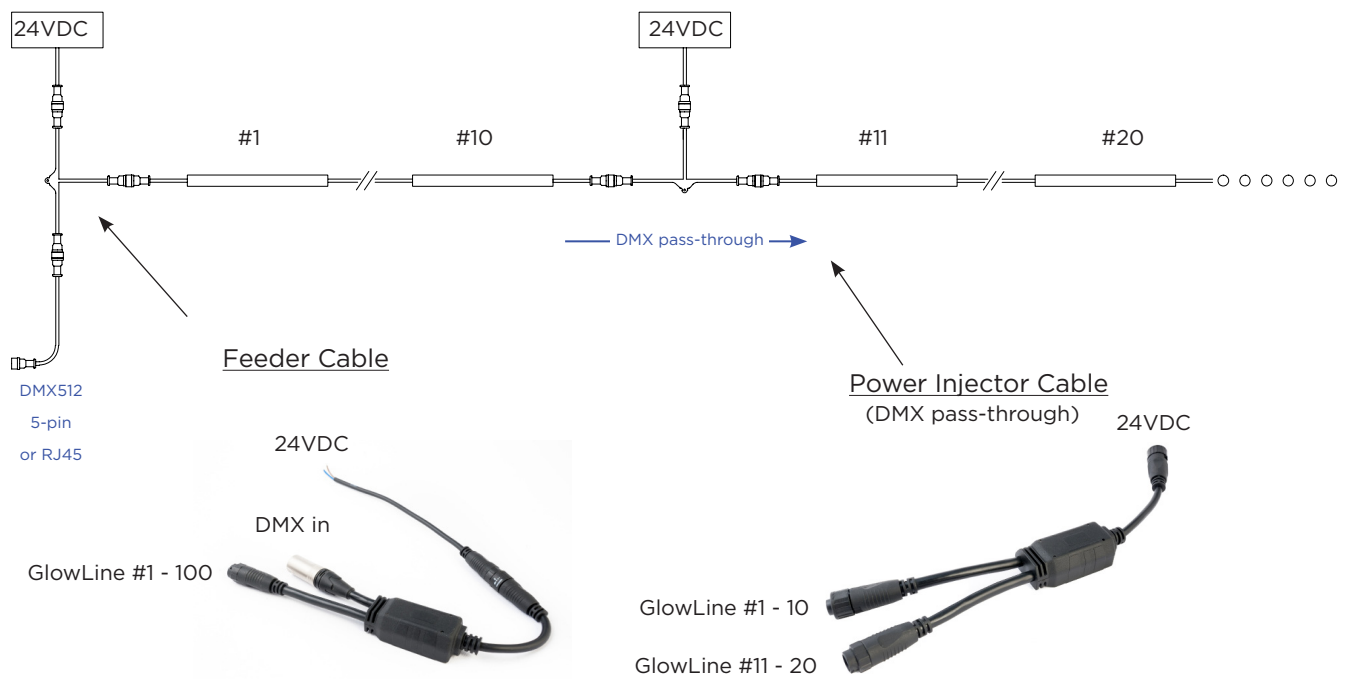
² Control channel count depends on Pixel Mode

Specifications subject to change without notice. Updated Jan 2018.

DIMENSIONS



TYPICAL SCHEMATIC



Specifications subject to change without notice. Updated Jan 2018.