

AURORA II

ULTRA HIGH-POWER LED BAR

30W — 90W

P R E L I M I N A R Y D A T A

DESCRIPTION

The Aurora II is an ultra high-output compact linear LED bar designed for architectural feature and general lighting applications.

Powered by the latest Lumileds LUXEON Rebel LEDs, the Aurora II is available in RGBW, single colour, or tunable white. It's perfect for lighting heritage buildings, architectural features, grazing walls, lighting passages, stairways, windows, and much more.

Fully dimmable with integral DMX and RDM for remote address-setting and diagnostics, the Aurora II is the perfect choice for special effect feature lighting.

FEATURES

Collimators High precision optics available in narrow, medium, wide, and elliptical angles to suit every application.

Lens Transparent, weatherproof, and shock-resistant.

Housing Anodised aluminium, custom colours available*.

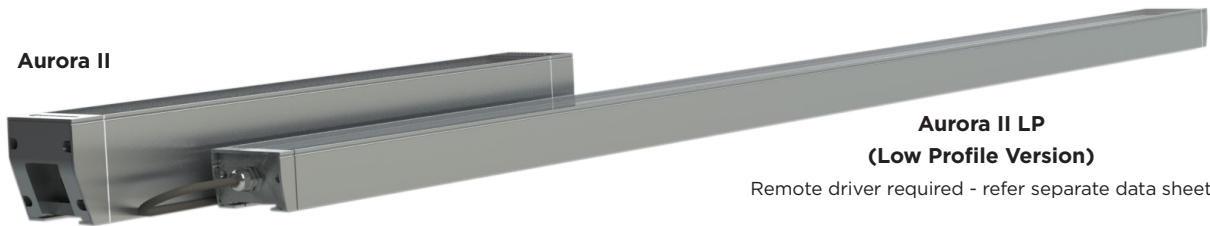
Cable Combined UV-stabilised outdoor power/data cable with custom 7-pin in/out connectors for easy installation. Simply daisy-chain together.

Adjustable Bracket Allows the mounting of the luminaire in any working position.

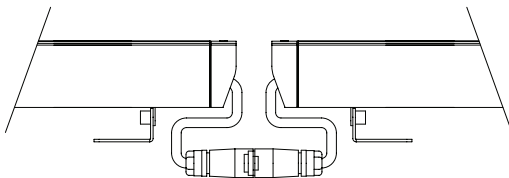


IP
66

Aurora II



Remote driver required - refer separate data sheet



Easy Installation

Combined 240V & DMX data cable for quick and easy daisy-chained installation. Perfect for heritage buildings where multiple penetrations are not allowed.

Custom Extension Cables

Allowing completely custom installations that negate the need for on-site terminations and unsightly junction boxes (Aurora II only)



www.spacecannon.com.au
sales@spacecannon.com.au
(61 3) 9486 5366

Made in Australia

Official Partner:



AURORA II

ULTRA HIGH-POWER LED BAR

30W — 90W

PRELIMINARY DATA

SPECIFICATIONS

Housing

Aluminium
– anodised or powder-coated

Ingress Protection

IP66

Control

DMX512, RDM*
(Remote Device Management)
Onboard thermal management with RDM monitoring and current (brightness) reduction in the event of overheating.

*DMX start address and diagnostics requires a compatible RDM Tool and software.

LEDs

Lumileds Rebel LEDs
420mm: 24 LEDs x 1.2W
820mm: 48 LEDs x 1.2W
1220mm: 72 LEDs x 1.2W

LED Optics

Specify at time of order:
10°, 20°, 30°, 10° x 60°.
Also available with no optics or custom beam angles – contact Space Cannon.

LED Colours

RGB+W (3000K or 4000K)
Single colour:
Red, Green, Blue, Amber, Cool White, Warm White.
Also available in variable white and variable colour (RGBW).

Power

90-250VAC 50/60Hz single phase with over-voltage, overload, and short-circuit protection
Aurora 420: 30W
Aurora 820: 60W
Aurora 1220: 90W

Accessories

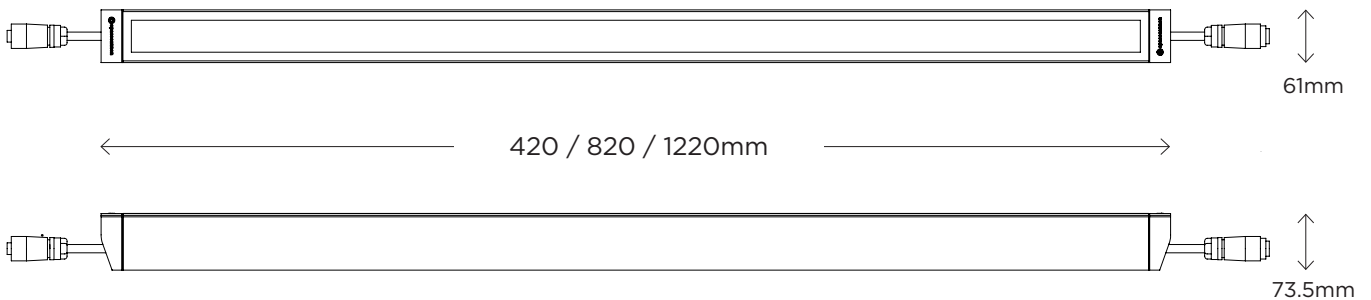
Standard mounting bracket

Accessories not included

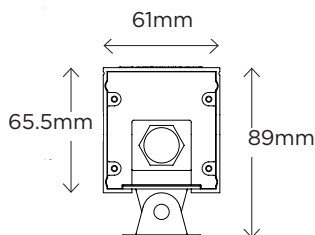
DMX controller
Wall-mount bracket

Specifications subject to change without notice. Updated Aug 2016.

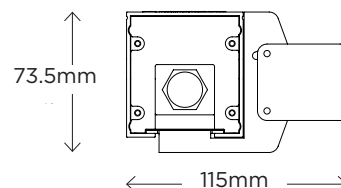
DIMENSIONS



Standard Mounting Bracket



Wall-Mount Bracket



www.spacecannon.com.au
sales@spacecannon.com.au
(61 3) 9486 5366

Made in Australia

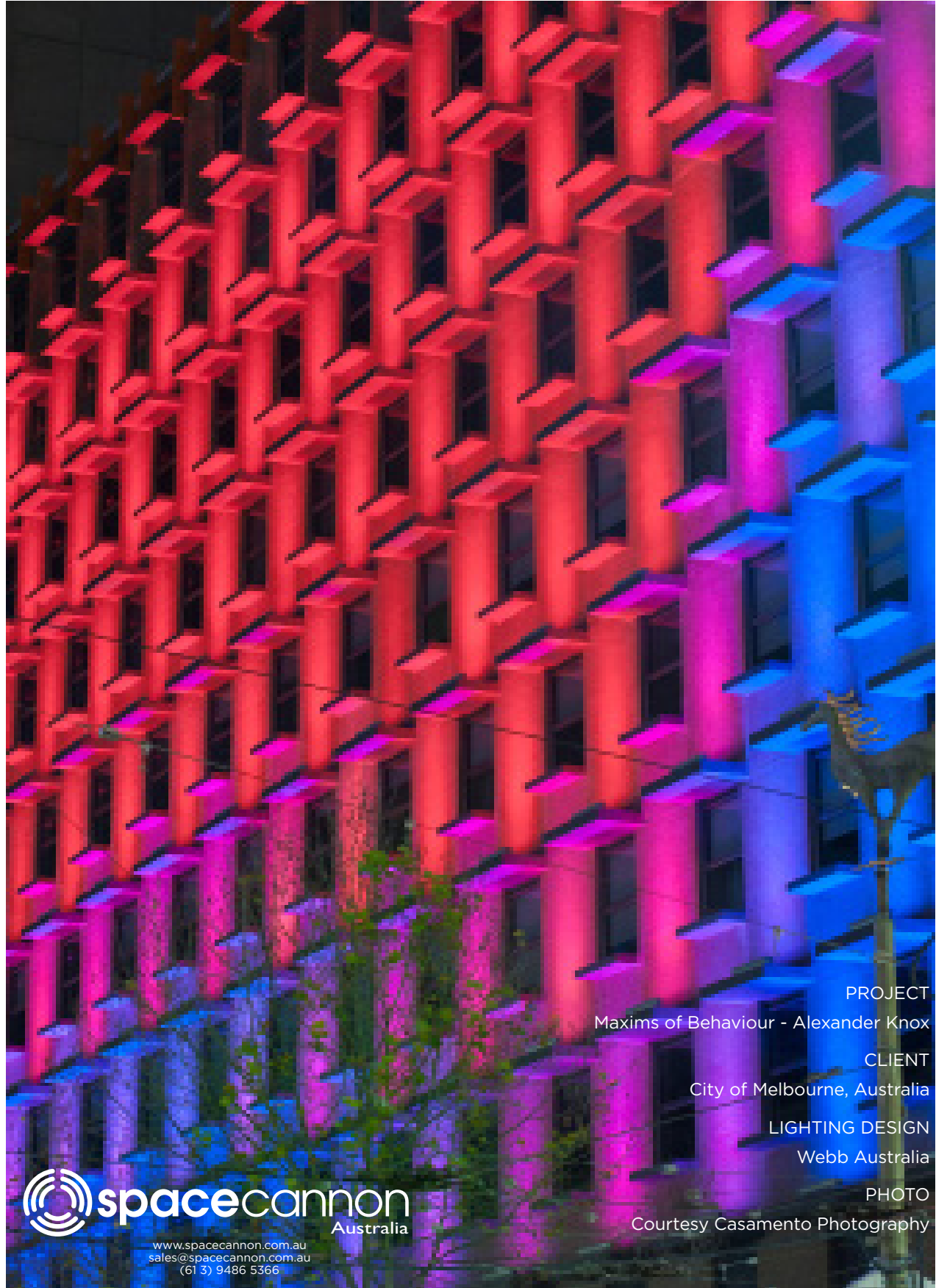
Official Partner:



AURORA II

ULTRA HIGH-POWER LED BAR

30W — 90W



PROJECT

Maxims of Behaviour - Alexander Knox

CLIENT

City of Melbourne, Australia

LIGHTING DESIGN

Webb Australia

PHOTO

Courtesy Casamento Photography



www.spacecannon.com.au
sales@spacecannon.com.au
(61 3) 9486 5366